

DH-IPC-HDBW2841R-Z(A)S

8MP IR Vari-focal Dome WizSense Network Camera



Wiz Sense

Launched by Dahua Technology, WizSense is a series of AI products and solutions that adopt independent AI chip and deep learning algorithm. It focuses on human and vehicle with high accuracy, enabling users to fast act on defined targets. Based on Dahua's advanced technologies, WizSense provides intelligent, simple and inclusive products and solutions.

System Overview

With advanced deep learning algorithm, Dahua WizSense 2 Series network camera supports intelligent functions, such as perimeter protection and smart motion detection. With starlight technology, this series camera provides a better image effect in the condition of low illuminance.

Functions

SMD Plus

With intelligent algorithm, Dahua Smart Motion Detection technology can categorize the targets that trigger motion detection and filter the motion detection alarm triggered by non-concerned targets to realize effective and accurate alarm.

Smart H.265+ & Smart H.264+

With advanced scene-adaptive rate control algorithm, Dahua smart encoding technology realizes the higher encoding efficiency than H.265 and H.264, provides high-quality video, and reduces the cost of storage and transmission.

Perimeter Protection

With deep learning algorithm, Dahua Perimeter Protection technology can recognize human and vehicle accurately. In restricted area (such as pedestrian area and vehicle area), the false alarms of intelligent detection based on target type (such as tripwire, intrusion) are largely reduced.

- 8-MP 1/2.7" CMOS image sensor, low luminance, and high definition image.
- Outputs max. 8 MP (3840 × 2160) @20 fps, and supports 2688 × 1520 (2688 × 1520) @25/30 fps.
- H.265 codec, high compression rate, ultra-low bit rate.
- Built-in IR LED, and the max. illumination distance is 40 m.
- ROI, SMART H.264+/H.265+, flexible coding, applicable to various bandwidth and storage environments.
- Rotation mode, WDR, 3D NR, HLC, BLC, digital watermarking, applicable to various monitoring scenes.
- Intelligent monitoring: Intrusion, tripwire (the two functions support the classification and accurate detection of vehicle and human)
- Abnormality detection: Motion detection, video tampering, audio detection, no SD card, SD card full, SD card error, network disconnection, IP conflict, illegal access, and voltage detection.
- Alarm: 1 in, 1 out (Only - ZAS supports); audio: 1 in, 1 out (Only - ZAS supports); supports max. 256 G Micro SD card; built in MIC.
- 12 VDC/PoE power supply, easy for installation.
- IP67, IK10 protection.
- SMD Plus.



WDR

With advanced Wide Dynamic Range (WDR) technology, Dahua network camera provides clear details in the environment of strong brightness contrast. The bright and dark area can get clear video even in high brightness environment or with backlight shadow.

Protection (IP67, IK10, Wide Voltage)

IP67: The camera passes a series of strict test on dust and soak. It has dust-proof function, and the enclosure can work normally after soaking in 1 m deep water for 30 minutes.

IK10: The enclosure can stand the punch more than 5 times from a 5 kg hammer falling from a height of 40 cm (Impact energy is 20J).

Wide voltage: The camera allows ±30% (for some power supplies) input voltage tolerance (wide voltage range), and it is widely applied to outdoor environment with instable voltage.

Technical Specification

Camera

| | |
|----------------------------|---|
| Image Sensor | 1/2.7" CMOS |
| Max. Resolution | 3840 (H) × 2160 (V) |
| ROM | 128 MB |
| RAM | 256 MB |
| Scanning System | Progressive |
| Electronic Shutter Speed | Auto/Manual 1/3 s–1/100,000 s |
| Min. Illumination | 0.008 lux@F1.5 (Color, 30 IRE) 0.0008 lux@F1.5 (B/W, 30 IRE) 0 lux (Illuminator on) |
| S/N Ratio | >56 dB |
| Illumination Distance | 40 m (131.23 ft) (IR) |
| Illuminator On/Off Control | Auto; Manual |
| Illuminator Number | 2 (IR LED) |
| Pan/Tilt/Rotation Range | Pan: 0°–355° Tilt: 0°–75° Rotation: 0°–355° |

Lens

| | |
|----------------------|--------------------------------------|
| Lens Type | Motorized vari-focal |
| Lens Mount | φ14 |
| Focal Length | 2.7 mm–13.5 mm |
| Max. Aperture | F1.5 |
| Field of View | H: 113°–31°; V: 58°–18°; D: 138°–36° |
| Iris Control | Fixed |
| Close Focus Distance | 0.8 m (2.62 ft) |

| DORI Distance | Lens | Detect | Observe | Recognize | Identify |
|---------------|------|------------------------|------------------------|-----------------------|----------------------|
| | W | 85.3 m (279.86 ft) | 34.1 m (111.88 ft) | 17.1 m (56.10 ft) | 8.5 m (27.89 ft) |
| | T | 280.0 m (918.64 ft) | 112.0 m (367.45 ft) | 56.0 m (183.73 ft) | 28.0 m (97.86 ft) |

*DORI (Detect, Observe, Recognize, Identify) is a standard system (EN-62676-4) for defining the ability of a person viewing the video to distinguish persons or objects within a covered area. The numbers in this table do not reflect intelligent function distances. For intelligent function distances, refer to installation and commissioning manual/project design tool.

Intelligence

| | |
|----------------------------|---|
| IVS (Perimeter Protection) | Intrusion, tripwire (the two functions support the classification and accurate detection of vehicle and human) |
| Smart Search | Work together with Smart NVR to perform refine intelligent search, event extraction and merging to event videos |

Video

| | |
|-------------------|--|
| Video Compression | H.265; H.264; H.264H; H.264B; MJPEG (Only supported by the sub stream) |
| Smart Codec | Smart H.265+; Smart H.264+ |

| | |
|--------------------------|---|
| Video Frame Rate | Main stream: 3840 × 2160@(1–20 fps)/2688 × 1520@(1–25/30 fps) sub stream: 704 × 576@(1–25 fps)/704 × 480@(1–30 fps) *The values above are the max. frame rates of each stream; for multiple streams, the values will be subjected to the total encoding capacity. |
| Stream Capability | 2 streams |
| Resolution | 3840 × 2160 (3840 × 2160); 3072 × 2048 (3072 × 2048); 3072 × 1728 (3072 × 1728); 2880 × 1620 (2880 × 1620); 2688 × 1520 (2688 × 1520); 3M (2048 × 1536); 2304 × 1296 (2304 × 1296); 1080p (1920 × 1080); 1.3M (1280 × 960); 720p (1280 × 720); D1 (704 × 576/704 × 480); VGA (640 × 480); CIF (352 × 288/352 × 240) |
| Bit Rate Control | CBR/VBR |
| Video Bit Rate | H.264: 32 kbps–8192 kbps H.265: 12 kbps–8192 kbps |
| Day/Night | Auto(ICR)/Color/B/W |
| BLC | Yes |
| HLC | Yes |
| WDR | 120 dB |
| White Balance | Auto; natural; street lamp; outdoor; manual; regional custom |
| Gain Control | Auto; Manual |
| Noise Reduction | 3D NR |
| Motion Detection | OFF/ON (4 areas, rectangular) |
| Region of Interest (RoI) | Yes (4 areas) |
| Smart Illumination | Yes |
| Image Rotation | 0°/90°/180°/270° (Support 90°/270° with 2688 × 1520 resolution and lower) |
| Mirror | Yes |
| Privacy Masking | 4 areas |
| Audio | |
| Built-in MIC | Yes |
| Audio Compression | G.711a; G.711Mu; PCM; G.726 |
| Alarm | |
| Alarm Event | No SD card; SD card full; SD card error; network disconnection; IP conflict; illegal access; motion detection; video tampering; tripwire; intrusion; audio detection; voltage detection; defocus detection; external alarm (Only- ZAS supports); SMD; security exception |
| Network | |
| Network Port | RJ-45 (10/100 Base-T) |
| SDK and API | Yes |
| Network Protocol | IPv4; IPv6; HTTP; TCP; UDP; ARP; RTP; RTSP; RTCP; RTMP; SMTP; FTP; SFTP; DHCP; DNS; DDNS; QoS; UPnP; NTP; Multicast; ICMP; IGMP; NFS; PPPoE; Bonjour |
| Interoperability | ONVIF (Profile S/Profile G/Profile T); CGI; P2P; Milestone |
| User/Host | 20 (Total bandwidth: 48 M) |
| Storage | FTP; SFTP; Micro SD card (support max. 256 GB); NAS |

| | |
|---------------------|---|
| Browser | IE; Chrome; Firefox |
| Management Software | Smart PSS; DSS; DMSS |
| Mobile Client | iOS; Android |
| Security | Digest; Security logs; WSSE; Account lockout; Syslog; 802.1x; IP/MAC filtering; HTTPS; Trusted upgrade; Trusted boot; Generation and importing of X.509 certification |

Certification

| | |
|----------------|--|
| Certifications | CE-LVD: EN62368-1; CE-EMC: Electromagnetic Compatibility Directive 2014/30/EU; FCC: 47 CFR FCC Part 15, Subpart B; UL/CUL: UL62368-1 & CAN/CSA C22.2 No. 62368-1-14 |
|----------------|--|

Port

| | |
|--------------|--|
| Audio Input | 1 channel (RCA port) (Only- ZAS supports) |
| Audio Output | 1 channel (RCA port) (Only- ZAS supports) |
| Alarm Input | 1 channel in: 5mA 3V-5 VDC (Only- ZAS supports) |
| Alarm Output | 1 channel out: 300mA 12 VDC (Only- ZAS supports) |

Power

| | |
|-------------------|---|
| Power Supply | 12 VDC/PoE (802.3af) |
| Power Consumption | -ZS: Basic: 2.7 W (12 VDC); 3.4 W (PoE) Max. (H.265+ max. resolution + max. stream+ WDR + IR intensity + IVS): 6.3 W (12 VDC); 7.2 W (PoE) -ZAS: Basic: 2.7 W (12 VDC); 3.4 W (PoE) Max. (H.265+ max. resolution + max. stream+ WDR + IR intensity + IVS): 6.4 W (12 VDC); 7.3 W (PoE) |

Environment

| | |
|-----------------------|--------------------------------------|
| Operating Temperature | -30 °C to +60 °C (-22 °F to +140 °F) |
| Operating Humidity | ≤95% |
| Storage Temperature | -40 °C to +60 °C (-40 °F to +140 °F) |
| Storage Humidity | ≤95% |
| Protection | IP67; IK10 |

Structure

| | |
|--------------------|---|
| Casing Material | Metal |
| Product Dimensions | 93.4 mm × Φ122 mm (3.68" × Φ4.80") |
| Net Weight | -ZS: 0.50 kg (1.10 lb) -ZAS: 0.51 kg (1.12 lb) |
| Gross Weight | -ZS: 0.66 kg (1.46 lb) -ZAS: 0.67 kg (1.48 lb) |

Ordering Information

| Type | Model | Description |
|------------------------|----------------------|--|
| 8MP Camera | DH-IPC-HDBW2841R-ZAS | 8MP IR Vari-focal Dome WizSense Network Camera |
| | DH-IPC-HDBW2841R-ZS | 8MP IR Vari-focal Dome WizSense Network Camera |
| Accessories (Optional) | PFA137 | Junction Box |
| | PFB203W | Wall Mount Bracket |
| | PFA109 | Mount Adapter |
| | PFB220C | Ceiling Mount Bracket |
| | PFA152-E | Pole Mount Bracket |
| | PFM321D | 12 VDC 1A Power Adapter |
| | PFM900-E | Integrated Mount Tester |
| TF-P100 | MicroSD Memory Card | |

Accessories

Optional:



PFA137 Junction Box



PFB203W Wall Mount Bracket



PFA109 Mount Adapter



PFB220C Ceiling Mount Bracket



PFA152-E Pole Mount Bracket



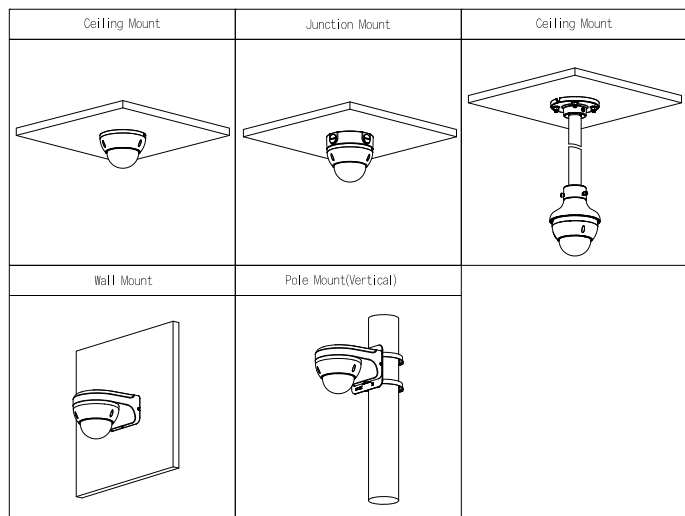
PFM321D 12 VDC 1A Power Adapter



PFM900-E Integrated Mount Tester



TF-P100 MicroSD Memory Card



Dimensions (mm[inch])

