

DS-2CE16D0T-LXTS**2MP Two-Way Audio & Siren Fixed Mini Bullet Camera**

- High quality imaging with 2 MP, 1920 × 1080 resolution
- 2.8 mm, 3.6 mm fixed focal lens
- Up to 30 m IR distance for bright night imaging
- Up to 20 m white light distance for bright night imaging
- Smart-Hybrid Light, optimize your security with flexible lighting options
- Active strobe light and audio alarm
 - High quality audio with audio over coaxial cable, built-in mic, and built-in speaker
- Provide real-time communication via built-in two-way audio
- Water and dust resistant (IP67)

▪ Specification

Camera	
Image Sensor	2 MP CMOS
Max. Resolution	1920 (H) × 1080 (V)
Min. Illumination	0.01 Lux @ (F1.6, AGC ON), 0 Lux with IR
Shutter Time	PAL: 1/12.5 s to 1/50,000 s, NTSC: 1/15 s to 1/50,000 s
Day & Night	ICR
Angle Adjustment	Pan: 0° to 360°, Tilt: 0° to 90°, Rotate: 0° to 360°
Signal System	PAL/NTSC
Lens	
Lens Type	2.8 mm, 3.6 mm fixed lens
Focal Length & FOV	2.8 mm, horizontal FOV: 105°, vertical FOV: 59°, diagonal FOV: 127°; 3.6 mm, horizontal FOV: 87°, vertical FOV: 46°, diagonal FOV: 105°
Lens Mount	M12
Microphone	
Pickup Distance	In a radius of up to 5 m
Amount	1
Speaker	
Rated Power	2 W
Speaker Range	In a radius of up to 5 m
Illuminator	
Supplement Light Type	Smart,IR,White Light
Supplement Light Range	IR: Up to 30 m,White Light: Up to 20 m
Image	
Image Settings	Anti-banding, Brightness, Sharpness, Smart IR
Frame Rate	TVI: 1080p @25 fps/30 fps
Day/Night Mode	Auto/Color
Wide Dynamic Range (WDR)	Digital WDR
Image Enhancement	DWDR, BLC, HLC, Global, HLS
Noise Reduction	2D DNR
White Balance	Auto, Manual
Audio	
Audio Function	Echo Cancellation, AI Noise Reduction, Automatic Gain Control
Interface	
Video Output	1 HD analog output
Alarm	Flashing Light Alarm (Red & Blue)

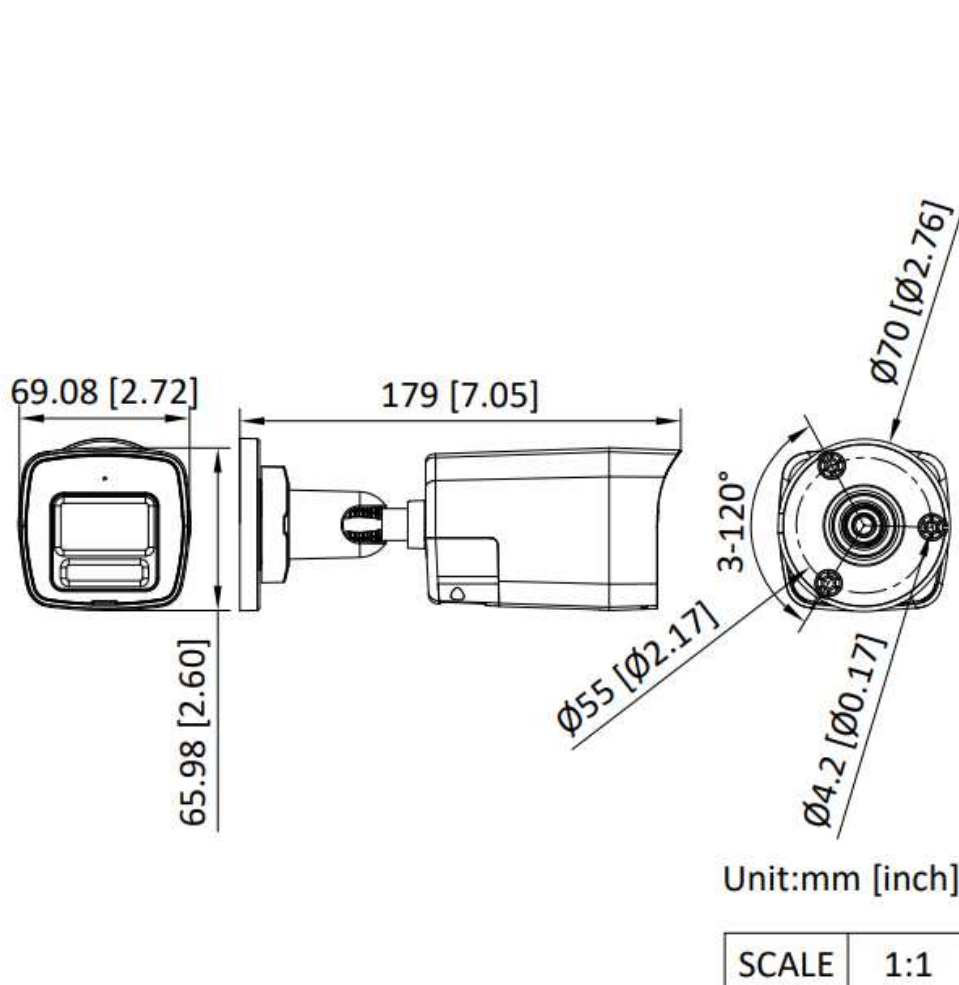
General	
Power	12 VDC \pm 25%, max. 7.7 W, *You are recommended to use one power adapter to supply the power for one camera. If a high-impedance cable is used (such as the 18 m extension cable in the kit package), a 15 VDC adapter is required.
Material	Metal
Dimension	179 mm \times 66 mm \times 69.1 mm (7.05" \times 2.6" \times 2.72")
Weight	Approx. 435 g (0.96 lb.)
Operating Condition	-40 °C to 60 °C (-40 °F to 140 °F). Humidity 90% or less (non-condensing)
Communication	HIKVISION-C
Language	English
Approval	
Protection	IP67

▪ Available Model

DS-2CE16D0T-LXTS(2.8mm)







DS-2CE16D0T-LXTS(3.6mm)

▪ Dimension



▪ Accessory

▪ Optional

DS-1275ZJ-SUS Vertical pole mount	DS-1276ZJ-SUS Corner mount	DS-1280ZJ-XS Junction box
 A vertical metal pole mount with a central hole and two side holes.	 A metal corner mount with two L-shaped brackets.	 A small, cylindrical metal junction box with a circular opening.
 A line drawing showing a camera mounted on the vertical pole mount.	 A line drawing showing a camera mounted on the corner mount.	 A line drawing showing a camera mounted on the junction box.

See Far, Go Further



www.hikvision.com
support@hikvision.com

