

# DH-HAC-HFW1500TLM-IL-T

5MP Smart Dual Light HDCVI Two-way Talk Fixed-focal Bullet Camera



## Series Overview

The Lite Series is a great choice for consumers looking for high quality monitoring products at a reasonable price. Its low cost and high performance make it ideal for residential areas and SMB solutions. This series is equipped with a wide range of technologies, such as full-color and starlight, providing various solutions for different scenarios.

## Functions

### Two-way Talk

With its built-in high-sensitivity microphone and high-power speaker, the camera realizes two-way talk through the mobile app.

### Smart Dual Light

With its smart dual light mechanism, the camera automatically turns on the white light when Perimeter Protection/SMD Plus function of AI XVR detects a target in the rule area to capture clear, vivid images. When the target leaves the rule area, the camera automatically switches over from the white light to the IR light to significantly reduce light pollution.

### Smart Light+

Equipped with advanced LEDs and beam processing technology, the camera effectively reduces interference of stray light, ensuring concentrated illumination within the lens's field of view. This allows the camera to easily produce clear images that reveal the fine details of targets even in low light conditions.

\* The parameters and datasheets below can only be applied to 1500-IL-T series.

- Max. 25 fps@5MP
- Two-way Talk
- Smart Light+
- Smart Dual Light.
- 40 m illumination distance.
- 3DNR
- 3.6 mm fixed lens (2.8 mm optional).
- CVI/CVBS/AHD/TVI switchable.
- IP67, 12 VDC.



### Advanced 3DNR

Dahua's advanced 3DNR technology reduces image noise with little to no impact on image sharpness, especially in poor lighting conditions. It detects the noise, and compares the sequential frames to effectively reduce the noise. It also makes efficient use of bandwidth, saving on storage space.

### Protection

IP67: The camera passed a series of rigorous dust and immersion tests. Its enclosure is both dust-proof and waterproof, and can function normally while being immersed in 1 m deep water for up to 30 minutes.

### 4 Signals over 1 Coaxial Cable

HDCVI technology supports 4 signals (video, audio\*, data and power) which are simultaneously transmitted over a coaxial cable. Dual-way data transmission allows the HDCVI camera to interact with the XVR to perform various actions such as sending control signals and triggering alarms. HDCVI technology also supports PoC, which makes the camera easy and quick to install.

\* Audio input is available for select HDCVI camera models.

### Smart Area Lighting

Automatically adjusts the intensity of the brightness and exposure for the left and right areas in the video based on the proportion and position of the targets to reveal more details in the image.

### Super Adapt

With its intelligent algorithm, the camera automatically adjusts its parameters to provide optimal performance and vivid images.

## Technical Specification

### Camera

Image Sensor	5 MP CMOS
Max. Resolution	2880 (H) × 1620 (V)
Scanning System	Progressive
Electronic Shutter Speed	PAL: 1/25 s–1/100,000 s NTSC: 1/30 s–1/100,000 s
Min. Illumination	0.01 lux@F1.6 (Color, 30 IRE) 0.001 lux@F1.6 (B/W, 30 IRE) 0 lux (Illuminator on)
S/N Ratio	>65 dB
Illumination Distance	IR: 40 m (131.23 ft) Warm light: 40 m (131.23 ft)
Illuminator On/Off Control	Auto;Manual
Illuminator Number	4 (Multi-core light)
Angle Adjustment	Pan: 0°–360° Tilt: 0°–90° Rotation: 0°–360°

### Lens

Lens Type	Fixed-focal
Auto Focus	No
Lens Mount	M12
Focal Length	3.6 mm; 2.8 mm
Max. Aperture	F1.6
Field of View	2.8 mm: H: 113.3°; V: 62.1°; D: 134.3° 3.6 mm: H: 90.1°; V: 47.8°; D: 109.3°
Iris Control	Fixed
Close Focus Distance	2.8 mm: 0.8 m (2.62 ft) 3.6 mm: 1.3 m (4.27 ft)

	Lens	Detect	Observe	Recognize	Identify
DORI Distance	2.8 mm	59.8 m ( 196.19 ft)	23.9 m ( 78.41 ft)	12.0 m ( 39.37 ft)	6.0 m ( 19.69 ft)
	3.6 mm	77 m ( 252.62 ft)	30.8 m ( 101.05 ft)	15.4 m ( 50.52 ft)	7.7 m ( 25.26 ft)
*DORI (Detect, Observe, Recognize, Identify) is a standard system (EN-62676-4) for defining the ability of a person viewing the video to distinguish persons or objects within a covered area. The numbers in this table do not reflect intelligent function distances. For intelligent function distances, refer to installation and commissioning manual/project design tool.					

### Video

Video Frame Rate	CVI: PAL: 5M@25 fps; 5M@12.5 fps; 4M@25 fps; 1080p@25 fps NTSC: 5M@25 fps; 5M@20 fps; 5M@10 fps; 4M@30 fps; 1080p@30 fps AHD: PAL: 4M@25 fps NTSC: 4M@30 fps TVI: PAL: 5M 16:9@20 fps NTSC: 5M 16:9@20 fps
------------------	--

Video Frame Rate	CVBS: PAL: 960H NTSC: 960H
Resolution	5M (2880 × 1620); 4M (2560 × 1440); 1080p (1920 × 1080); 720p (1280 × 720); TVI 5M 16:9 (2960 × 1665)
Day/Night	Auto(ICR)/Color/B/W
BLC	BLC; HLC; WDR
WDR	DWDR
White Balance	Auto;Area white balance
Gain Control	Auto/Manual
Noise Reduction	3D NR
Illumination Mode	Smart IR&WL (CVI, TVI); WL Mode; IR Mode
Mirror	Yes
Privacy Masking	Off/On (8 areas, rectangle)

### Certification

Certifications	CE-LVD: EN 62368-1; CE-EMC: EN 55032; EN 55035;
----------------	--

### Audio

Built-in Mic	Yes
Camera Audio	CVI; TVI
Pick-up Distance	8 m (26.25 ft)
Two-way Talk	Yes (CVI, TVI)
Speaker	Yes
Speaker Distance	8 m (26.25 ft)

### Port

Video Output	Video output choices of CVI/TVI/AHD/CVBS by one BNC port (DIP Switch)
--------------	---

### Power

Power Supply	12 VDC (±30%) (It is recommended to use a power adapter to supply the power for one camera)
Power Consumption	Max 9.5 W (12 VDC, WLED on)

### Environment

Operating Temperature	–40 °C to +60 °C (–40 °F to +140 °F)
Operating Humidity	<95% (RH), non-condensing
Storage Temperature	–40 °C to +60 °C (–40 °F to +140 °F)
Storage Humidity	<95% (RH), non-condensing
Protection	IP67
Anti-corrosion Level	Basic Protection *The products are designed for general use and are applicable even in areas with no specific requirements for anti-corrosion protection.

### Structure

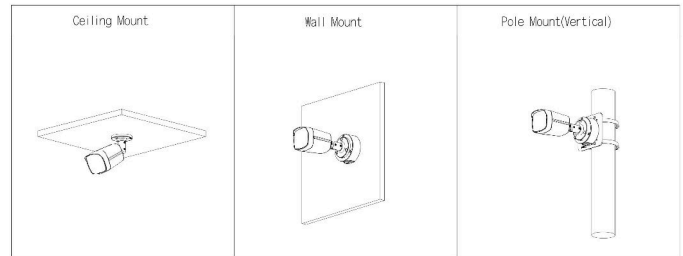
Casing Material	Metal front cover + plastic rear barrel + metal bracket
Product Dimensions	198.4 mm × 80.2 mm × 76.2 mm (7.81" × 3.16" × 3.00") (L × W × H)

# Lite Series | DH-HAC-HFW1500TLM-IL-T

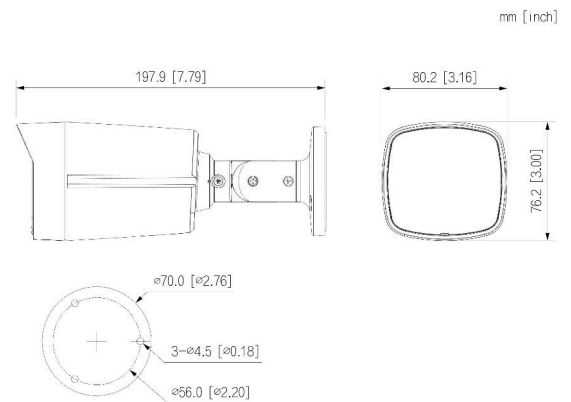
Net Weight	0.34 kg (0.75 lb)
Gross Weight	0.45 kg (0.99 lb)
Installation	Wall mount; ceiling mount; vertical pole mount

## Ordering Information

Type	Model	Description
HDCVI CAMERA	DH-HAC-HFW1500TLMN-IL-T	SMP Smart Dual Light HDCVI Two-way Talk Fixed-focal Bullet Camera,NTSC
	DH-HAC-HFW1500TLM-IL-T	SMP Smart Dual Light HDCVI Two-way Talk Fixed-focal Bullet Camera,PAL
Accessories (Optional)	G3416GW	G3/4" Water Joint
	DH-PFA130-E	Water-proof Junction Box
	DH-PFA151	Corner Mount Bracket
	DH-PFA157	Pole Mount Bracket
	DH-PFA134	Junction Box
	DH-PFM800-4K	1 Channel Passive HDCVI Balun
	DH-PFM321-EN	DC12V1A power adapter
	DH-PFM320D-EN	DC12V2A power adapter
	PFM904	Integrated Mount Tester



## Dimensions (mm[inch])



## Accessories

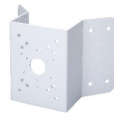
Optional:



DH-PFA130-E  
Water-proof Junction Box



DH-PFA134  
Junction Box



DH-PFA151  
Corner Mount Bracket



DH-PFA157  
Pole Mount Bracket



DH-PFM320D-EN  
DC12V2A power adapter



DH-PFM321-EN  
DC12V1A power adapter



DH-PFM800-4K  
1 Channel Passive HDCVI  
Balun



G3416GW  
G3/4" Water Joint



PFM904  
Integrated Mount Tester