

# DH-HAC-HDW1549X-IL-A-PRO

## 5MP WizColor HDCVI Fixed-focal Eyeball Camera



### Series Overview

The Lite Series is a great choice for consumers looking for high quality monitoring products at a reasonable price. Its low cost and high performance make it ideal for residential areas and SMB solutions. This series is equipped with a wide range of technologies, such as full-color and starlight, providing various solutions for different scenarios.

### Functions

#### WizColor Technology

Dahua WizColor Technology seamlessly combines with the powerful AI-ISP and large aperture in cameras. This unique integration enables cameras to effortlessly capture high-quality images with vibrant colors during nighttime scenarios, ensuring fine details are preserved and minimizing motion blur. Unlike traditional self-illuminating cameras, Dahua WizColor Technology maximizes the utilization of weak light sources, such as moonlight and city lights reflected in the sky, delivering captivating full-color images of the entire scene. It also ensures that monitoring distances are not compromised at night due to limited illumination ranges, facilitating full-color image capture even over long distances.

#### AI-ISP

With AI ISP technology, the camera is able to easily adapt to scenes, producing high quality images that reveal the fine details of targets.

- \* The parameters and datasheets below can only be applied to 1549 series.
- \* In order to use the 5MP 16:9 and the Smart Dual Light HDCVI camera, the firmware of XVR must be upgraded to V4.001.0000004.1.R.220323 or later version.
- Max. 25 fps@5MP (16:9 video output)
- AI-ISP.
- Distortion Correction.
- Smart Dual Light.
- Smart Light+.
- 50 m illumination distance
- Super Adapt, 130 dB true WDR, 3D NR
- Built-in Dual Mic
- Quick-to-install eyeball saves installation time.
- 3.6 mm fixed lens (2.8 mm optional)
- CVI/CVBS/AHD/TVI switchable
- IP67, 12 VDC



#### Smart Dual Light

With its smart dual light mechanism, the camera automatically turns on the white light when Perimeter Protection/SMD Plus function of AI XVR detects a target in the rule area to capture clear, vivid images. When the target leaves the rule area, the camera automatically switches over from the white light to the IR light to significantly reduce light pollution.

#### Distortion Correction

With advanced distortion correction algorithm, Dahua Distortion Correction corrects the image distortion in both horizontal and vertical directions to be consistent with the actual situation.

#### Smart Light+

Equipped with advanced LEDs and beam processing technology, the camera effectively reduces interference of stray light, ensuring concentrated illumination within the lens's field of view. This allows the camera to easily produce clear images that reveal the fine details of targets even in low light conditions.

## Technical Specification

### Camera

Image Sensor	5 MP CMOS
Max. Resolution	2880 (H) × 1620 (V)
Scanning System	Progressive
Electronic Shutter Speed	PAL: 1/25 s–1/100,000 s NTSC: 1/30 s–1/100,000 s
Min. Illumination	0.0001 lux@F1.0 (Color, 30 IRE) 0.00001 lux@F1.0 (B/W, 30 IRE) 0 lux (Illuminator on)
S/N Ratio	>65 dB
Illumination Distance	IR: 50 m (164.04 ft) Warm light: 50 m (164.04 ft)
Illuminator On/Off Control	Auto/Manual
Illuminator Number	4 (Multi-core light)
Angle Adjustment	Pan: 0°–360° Tilt: 0°–78° Rotation: 0°–360°

### Lens

Lens Type	Fixed-focal
Lens Mount	M12
Focal Length	2.8 mm; 3.6 mm
Max. Aperture	F1.0
Field of View	2.8 mm: H: 111°; V: 58.5°; D: 136.3° 3.6 mm: H: 91.1°; V: 48.7°; D: 107.9°
Iris Control	Fixed
Close Focus Distance	2.8 mm: 1.4 m (4.59 ft) 3.6 mm: 2.0 m (6.56 ft)

DORI Distance	Lens	Detect	Observe	Recognize	Identify
	2.8 mm	63.8 m (209.32 ft)	25.5 m (83.66 ft)	12.8 m (41.99 ft)	6.4 m (21.00 ft)
	3.6 mm	77.8 m (255.25 ft)	31.1 m (102.03 ft)	15.6 m (51.18 ft)	7.8 m (25.59 ft)

\*DORI (Detect, Observe, Recognize, Identify) is a standard system (EN-62676-4) for defining the ability of a person viewing the video to distinguish persons or objects within a covered area. The numbers in this table do not reflect intelligent function distances. For intelligent function distances, refer to installation and commissioning manual/project design tool.

### Video

Video Frame Rate	CVI: PAL: 5M@25 fps; 5M@12.5 fps; NTSC: 5M@25 fps; 5M@10 fps; AHD: PAL: 4M@25 fps NTSC: 4M@30 fps TVI: PAL: 5M@20 fps NTSC: 5M@20 fps CVBS: PAL: 960H NTSC: 960H
------------------	---

Resolution	5M (2880 × 1620); 4M (2560 × 1440); 960H (960 × 576/960 × 480); TVI 5M 16:9 (2960 × 1665)
Day/Night	Auto(ICR)/Color/B/W
WDR	130 dB
White Balance	Auto
Gain Control	Auto
Noise Reduction	3D NR
Motion Detection	Yes (It needs to be controlled through the XVR)
Illumination Mode	Smart IR&WL; WL Mode; IR Mode
Mirror	Yes (It needs to be controlled through the XVR)
Privacy Masking	Yes (It needs to be controlled through the XVR)

### Certification

Certifications	CE-LVD: EN 62368-1; CE-EMC: EN 55032; EN 55035;
----------------	--

### Audio

Built-in Mic	Yes, built-in dual Mic
Camera Audio	CVI
Pick-up Distance	12 m (39.37 ft)

### Port

Video Output	Video output choices of CVI/TVI/AHD/CVBS by one BNC port (DIP Switch)
--------------	---

### Power

Power Supply	12 VDC (±30%)
Power Consumption	Max 6.1 W (12 VDC, LED on)

### Environment

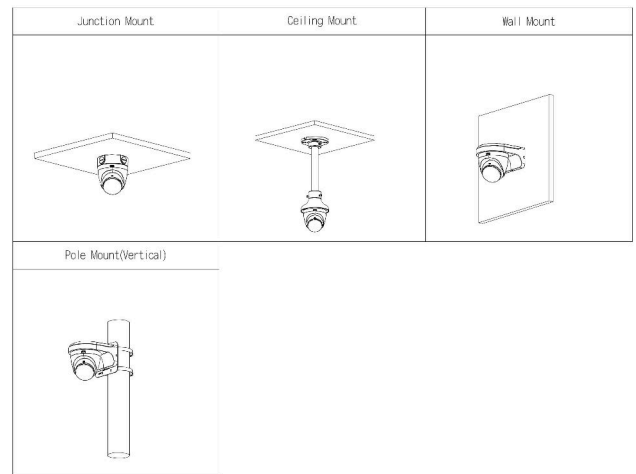
Operating Temperature	–40 °C to +60 °C (–40 °F to +140 °F)
Operating Humidity	<95% (RH), non-condensing
Storage Temperature	–40 °C to +60 °C (–40 °F to +140 °F)
Storage Humidity	<95% (RH), non-condensing
Protection	IP67
Anti-corrosion Level	Basic Protection

### Structure

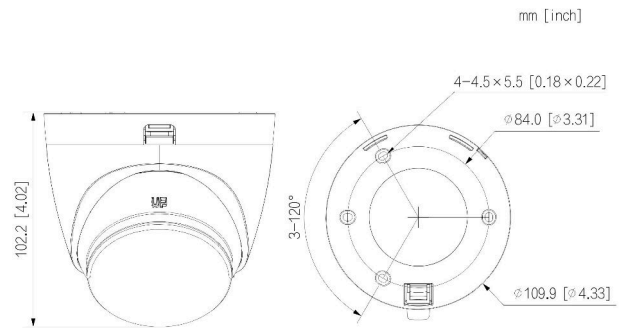
Casing Material	Dome (metal + plastic) + plastic enclosure
Product Dimensions	Φ109.9 mm × 102.2 mm (Φ4.33" × 4.02")
Net Weight	0.33 kg (0.73 lb)
Gross Weight	0.45 kg (0.99 lb)
Installation	Wall mount; ceiling mount; vertical pole mount

**Ordering Information**

Type	Model	Description
HDCVI CAMERA	DH-HAC-HDW1549XN-IL-A-PRO	5MP WizColor HDCVI Fixed-focal Eyeball Camera,NTSC
	DH-HAC-HDW1549XP-IL-A-PRO	5MP WizColor HDCVI Fixed-focal Eyeball Camera,PAL
Accessories (Optional)	DH-PFB220C	Ceiling Mount Bracket
	DH-PFA109	Mount Adapter
	DH-PFA151	Corner Mount Bracket
	DH-PFB305W	Wall Mount Bracket
	DH-PFA150	Pole Mount Bracket
	DH-PFA156	Pole Mount Bracket
	DH-PFB2203W	Wall Mount Bracket
	DH-PFA13G	Junction Box
	DH-PFM800-4K	1 Channel Passive HDCVI Balun
	DH-PFM321-EN	DC12V1A power adapter
	DH-PFM320D-EN	DC12V2A power adapter
	PFM904	Integrated Mount Tester



**Dimensions (mm[inch])**



**Accessories**

Optional:



DH-PFA109  
Mount Adapter



DH-PFA13G  
Junction Box



DH-PFA150  
Pole Mount Bracket



DH-PFA151  
Corner Mount Bracket



DH-PFA156  
Pole Mount Bracket



DH-PFB2203W  
Wall Mount Bracket



DH-PFB220C  
Ceiling Mount Bracket



DH-PFB305W  
Wall Mount Bracket



DH-PFM320D-EN  
DC12V2A power adapter



DH-PFM321-EN  
DC12V1A power adapter



DH-PFM800-4K  
1 Channel Passive HDCVI  
Balun



PFM904  
Integrated Mount Tester